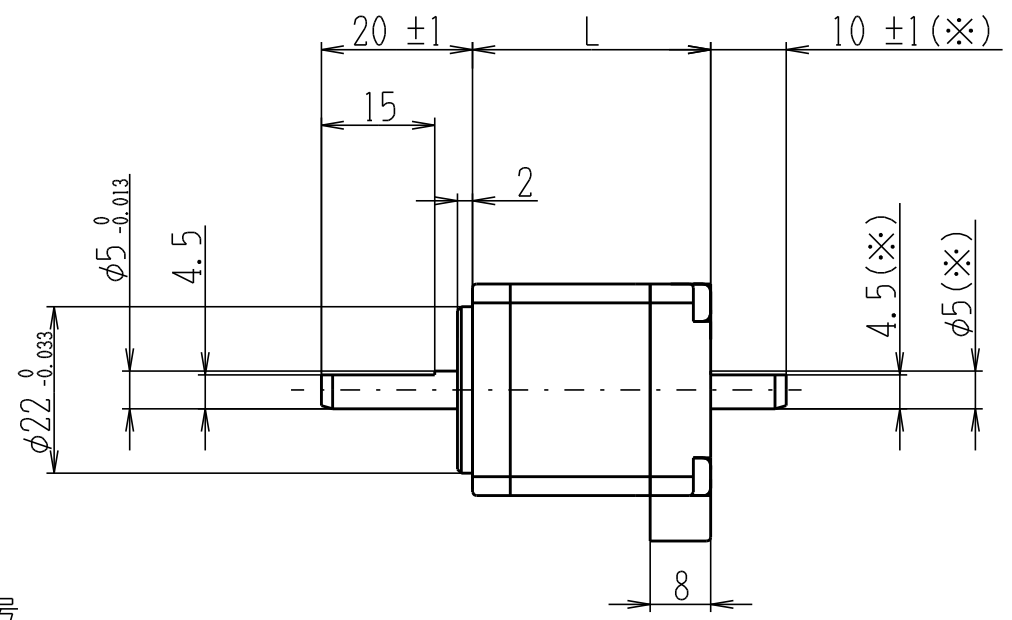
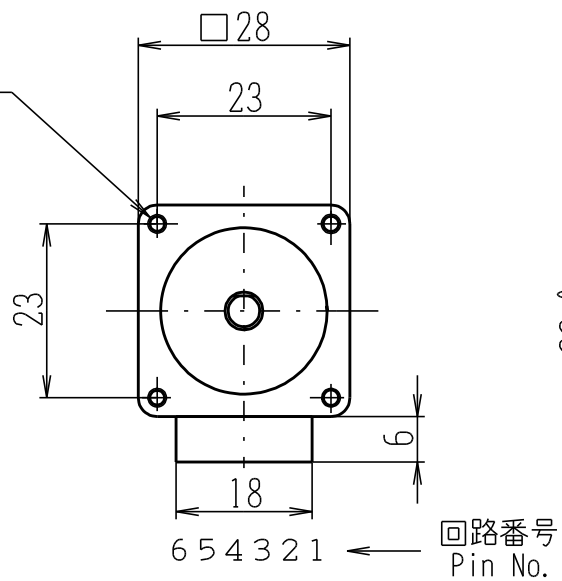


(C)Shinano Kenshi Co., Ltd. All rights reserved.

4-M2.5  
深サ3.5min  
Depth



※両軸タイプのみの寸法です  
Dimensions apply to double shaft models.

Header	MOLEX INC:53254-0670
Mating connector	MOLEX INC:51065-0600

品名 Model No.	モータ長L(mm) Motor length
PMSA-U28D1■	31.5
PMSA-U28D2■	39.5
PMSA-U28D4■	50.5